

# LM5007 Evaluation Board

National Semiconductor  
Application Note 1298  
Ravi Murugesappa  
January 2004



## Introduction

The LM5007 evaluation board is designed to provide the design engineer with a fully functional step down switching regulator to evaluate LM5007 regulator IC, in a typical environment.

The performance of evaluation board is as follows:

- Input range: 12V to 75V
- Output voltage: 10V
- Output current: 400mA
- Measured efficiency: 90% at 300mA and  $V_{IN} = 30V$
- Board size: 31.9mm x 44.4mm

## Theory Of Operation

The LM5007 Step down switching regulator features all of the functions needed to implement low cost, efficient, Buck bias regulators. This high voltage regulator contains an 80V, 0.7A N-channel Buck switch. The regulator is based on hysteretic control scheme using an on-time inversely proportional to input voltage ( $V_{IN}$ ). This feature allows the operating frequency to remain relatively constant with load and input voltage variations. The hysteretic control requires no control loop compensation, while providing fast load transient response. Additional protection features include: Thermal Shutdown,  $V_{CC}$  undervoltage lockout and maximum duty-cycle limiter. LM5007 can be used in numerous applications to efficiently regulate step down higher voltage inputs. This regulator is well suited for 48V telecom and the new 42V automotive power bus ranges.

The LM5007 operates in discontinuous conduction mode at light load currents or continuous conduction mode at heavier load currents. In discontinuous conduction mode, current through the output inductor starts at zero and ramps up to the peak value during the buck switch on time, and then back to zero during buck switch off time. In discontinuous conduction mode, the operating frequency can be relatively low and will vary with load. Therefore at light loads the conversion efficiency is maintained, since switching losses decrease with reduction in switching frequency.

The evaluation board just needs one high voltage power-supply (upto 75V and current rating of 1A). The maximum output power is 4 watts. Either an electronic load or resistor bank can be used for testing evaluation board.

## Start-up Feature

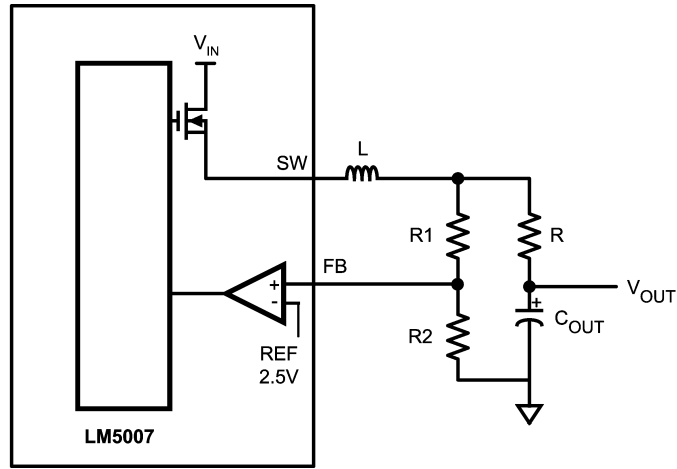
There is no soft-start feature in LM5007, and it normally comes up with full load current to supply the power demanded by the load within a short time. The LM5007 contains an intelligent current limit OFF timer intended to reduce the foldback characteristic inherent with fixed off-time over-current protection. If the current in the Buck FET exceeds 725mA the present cycle is immediately terminated (cycle by cycle current limit). Following the termination of the cycle a non-resettable current limit off timer is initiated. The duration of off time is a function of the external setting resistor ( $R_{cl}$ ) and the FB pin voltage. When FB pin voltage = 0V the current limit off time is internally preset to 15 $\mu$ s. This condition occurs in short circuit operation when a maximum amount of off time is required.

In cases of overload (not complete short circuit) the current limit off time can be reduced as a function of the output voltage (measured at the FB pin). Reducing the off time during smaller overloads reduces the amount of foldback and also reduces the initial start-up time.

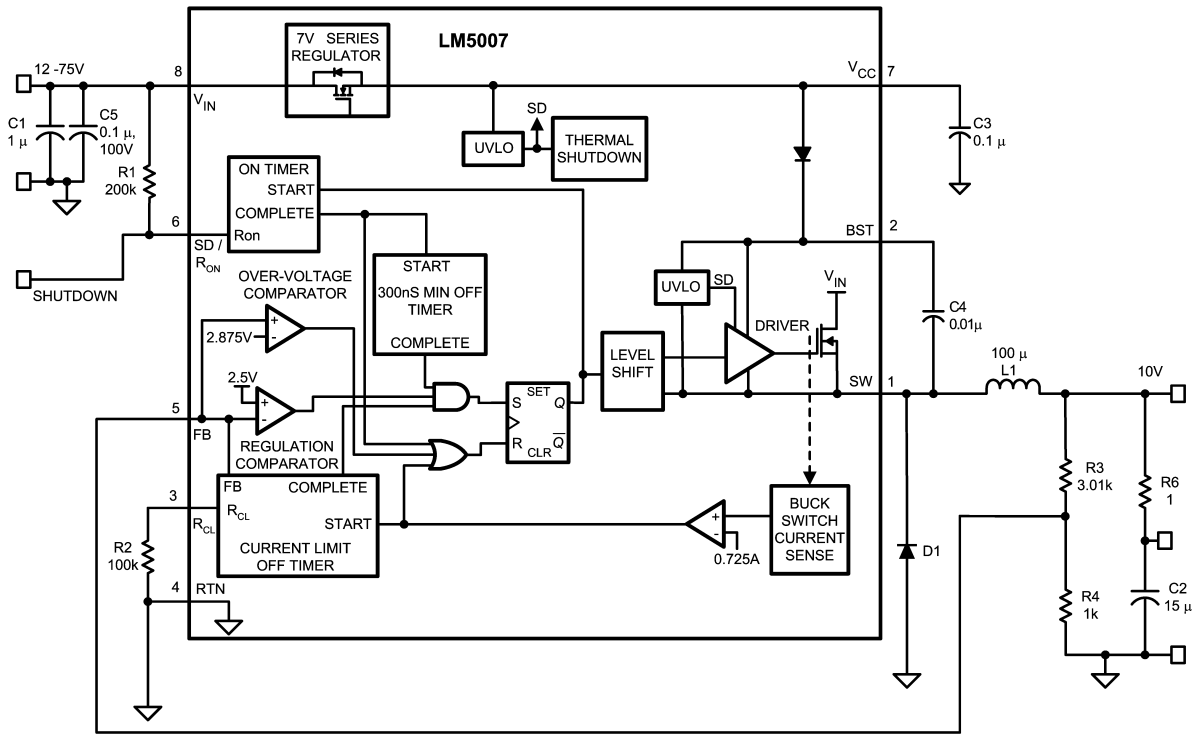
## Low Ripple Configuration

For applications where lower output voltage ripple is required the output load can be connected directly to the low ESR output capacitor, as shown below. The evaluation board is laid out in such a way that, user can use either (high ripple or low ripple) options by simply shifting the output connector. The series resistor (R) will degrade the load regulation however. Another technique for enhancing the ripple voltage at the FB pin is to place a capacitor in parallel with the feedback divider resistor R1. The addition of the capacitor reduces the attenuation of the ripple voltage from the feedback divider.

# Low Ripple Configuration (Continued)



20083201

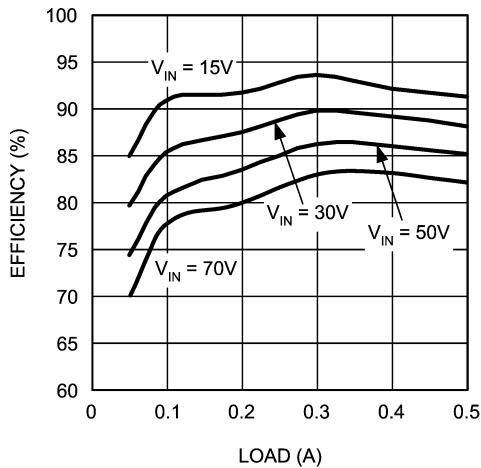


20083202

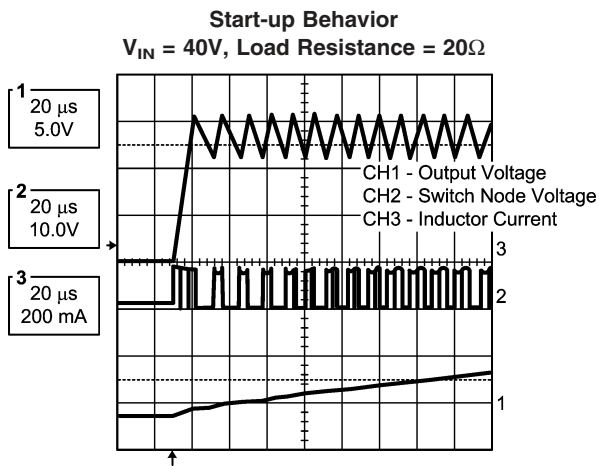
Evaluation Board Schematic Diagram

ITEM		PART NUMBER	DESCRIPTION	VALUE
C	1	C4532X7R2A105M	CAPACITOR, CER, TDK	1 $\mu$ , 100V
C	2	C4532X7R1E156M	CAPACITOR, CER, TDK	15 $\mu$ , 25V
C	3	C1206C104K5RAC	CAPACITOR, CER, KEMET	0.1 $\mu$ , 50V
C	4	C1206C103K5RAC	CAPACITOR, CER, KEMET	0.01 $\mu$ , 50V
C	5	C3216X7R2A104KT	CAPACITOR, CER, TDK	0.1 $\mu$ , 100V
D	1	MURA110T3	DIODE, 100V, ON SEMI	
L	1	SLF7045T-101MR60-1	BUCK INDUCTOR, TDK	100 $\mu$ H
R	1	CRCW12062003F	RESISTOR	200K
R	2	CRCW12061003F	RESISTOR	100K
R	3	CRCW12063011F	RESISTOR	3.01K
R	4	CRCW12061001F	RESISTOR	1K
R	5	CRCW12061R00F	RESISTOR	1
U	1	LM5007	REGULATOR, NATIONAL	

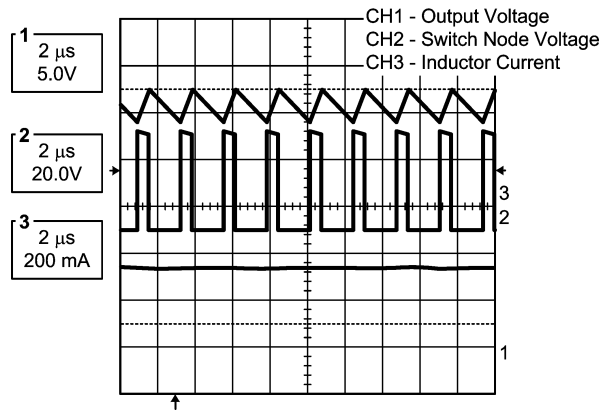
### Efficiency Measurements



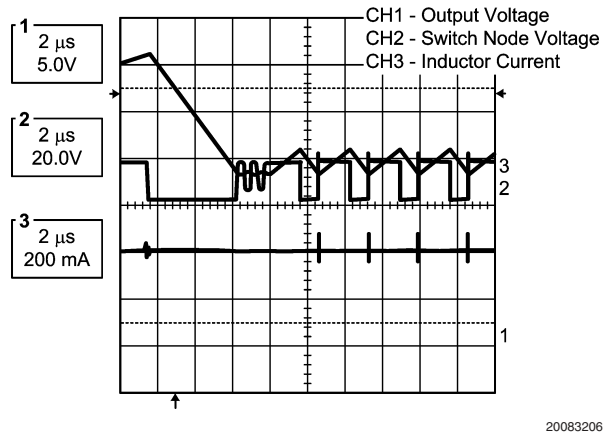
LM5007 10V Output Efficiency



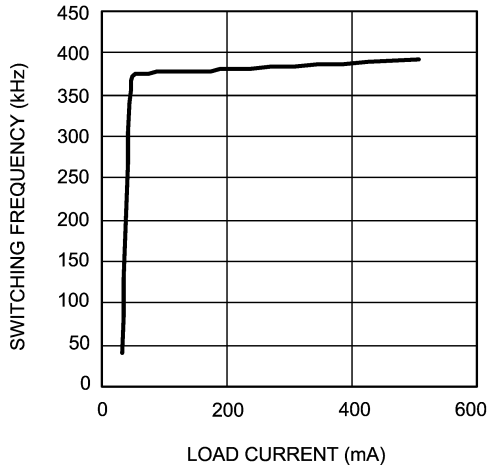
Normal Operation  
 $V_{IN} = 40V$ ,  $V_{OUT} = 10V$ , Load Resistance =  $20\Omega$



Load Transient  
 $V_{IN} = 15V$ ,  $V_{OUT} = 10V$ , Load change from  $20\Omega$  to  $120\Omega$

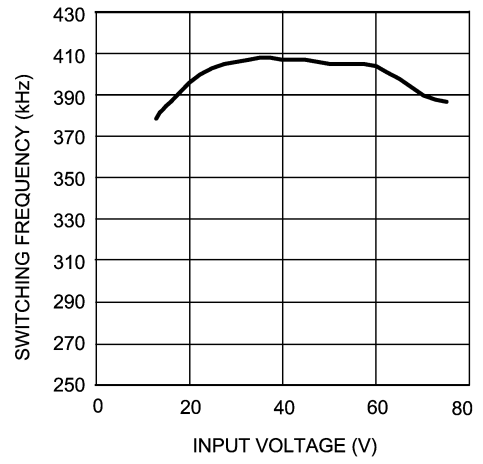


Load Current vs Switching Frequency



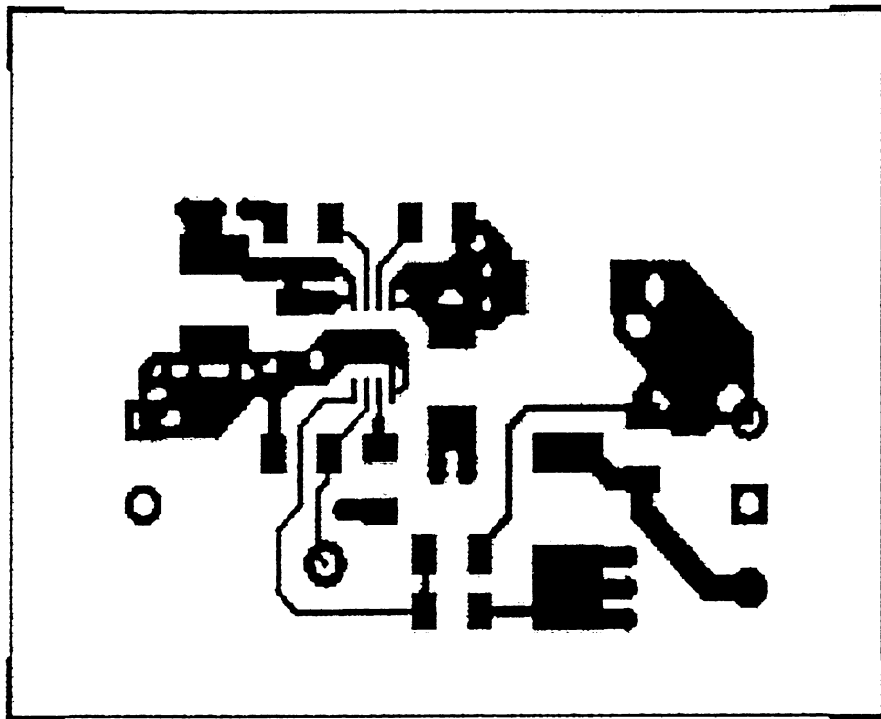
20083207

Input Voltage vs Switching Frequency



20083208

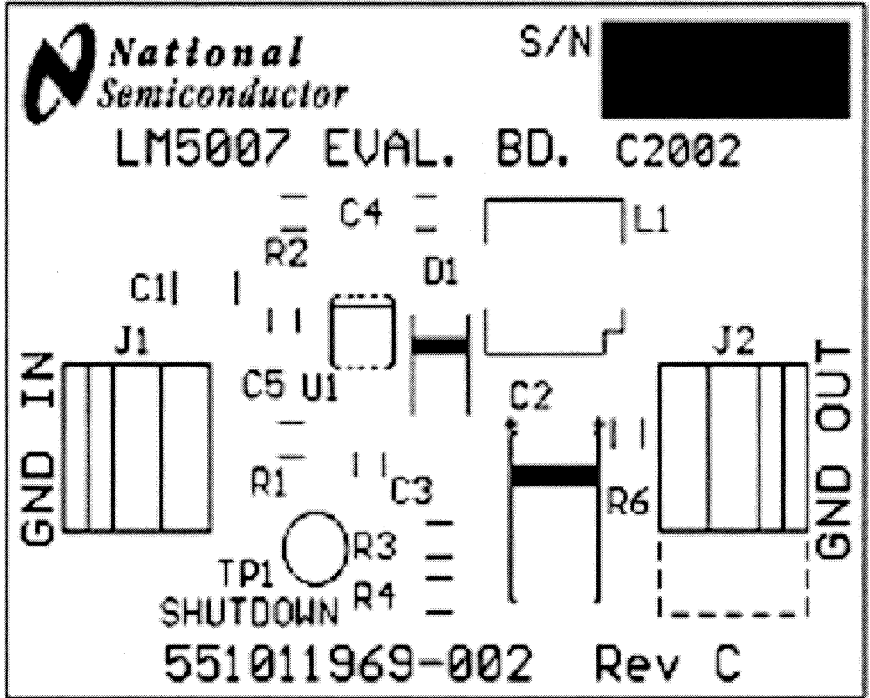
### PCB Layouts



Top Layer

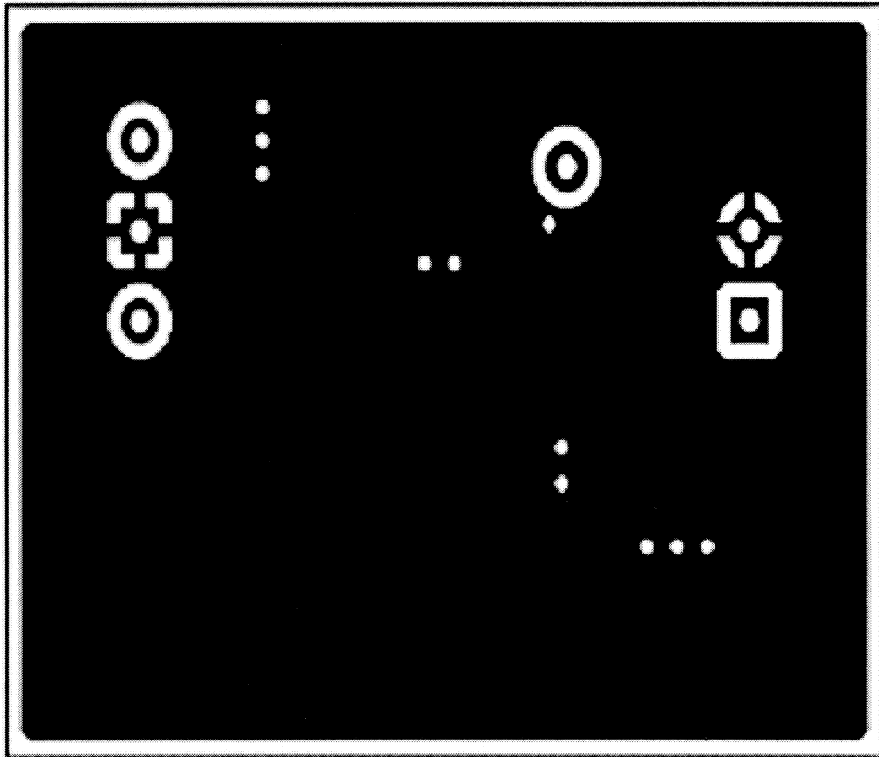
20083209

PCB Layouts (Continued)



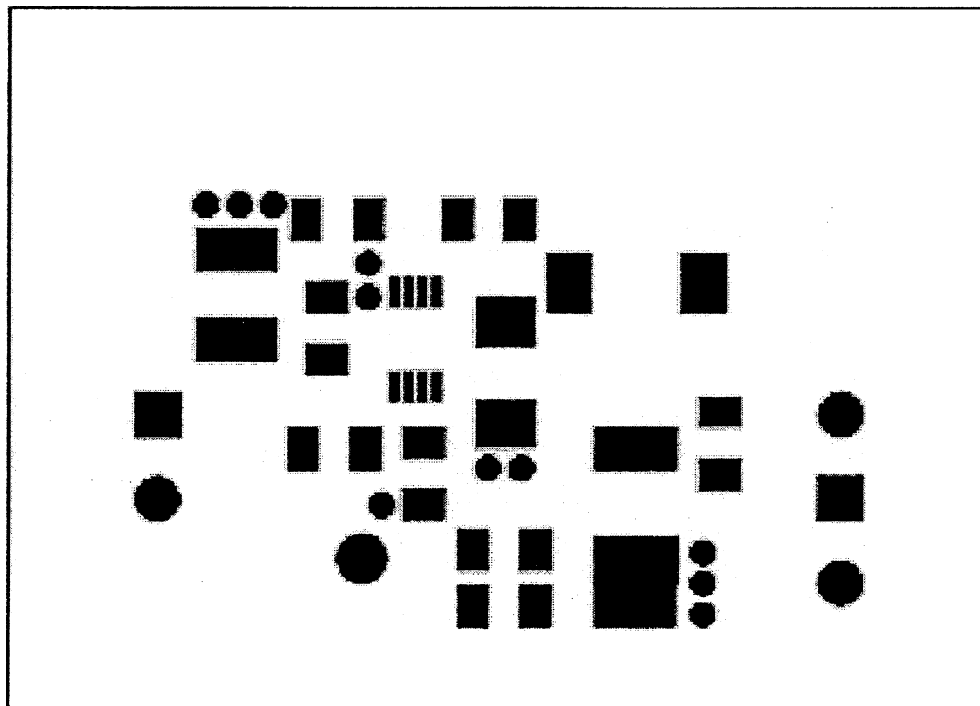
Silk Screen

20083210



Bottom Layer

20083211

**PCB Layouts** (Continued)

Top Soldermask

20083212

**LIFE SUPPORT POLICY**

NATIONAL'S PRODUCTS ARE NOT AUTHORIZED FOR USE AS CRITICAL COMPONENTS IN LIFE SUPPORT DEVICES OR SYSTEMS WITHOUT THE EXPRESS WRITTEN APPROVAL OF THE PRESIDENT AND GENERAL COUNSEL OF NATIONAL SEMICONDUCTOR CORPORATION. As used herein:

1. Life support devices or systems are devices or systems which, (a) are intended for surgical implant into the body, or (b) support or sustain life, and whose failure to perform when properly used in accordance with instructions for use provided in the labeling, can be reasonably expected to result in a significant injury to the user.
2. A critical component is any component of a life support device or system whose failure to perform can be reasonably expected to cause the failure of the life support device or system, or to affect its safety or effectiveness.

**BANNED SUBSTANCE COMPLIANCE**

National Semiconductor certifies that the products and packing materials meet the provisions of the Customer Products Stewardship Specification (CSP-9-111C2) and the Banned Substances and Materials of Interest Specification (CSP-9-111S2) and contain no "Banned Substances" as defined in CSP-9-111S2.



**National Semiconductor**  
Americas Customer  
Support Center  
Email: [new.feedback@nsc.com](mailto:new.feedback@nsc.com)  
Tel: 1-800-272-9959

[www.national.com](http://www.national.com)

**National Semiconductor**  
Europe Customer Support Center  
Fax: +49 (0) 180-530 85 86  
Email: [europe.support@nsc.com](mailto:europe.support@nsc.com)  
Deutsch Tel: +49 (0) 69 9508 6208  
English Tel: +44 (0) 870 24 0 2171  
Français Tel: +33 (0) 1 41 91 8790

**National Semiconductor**  
Asia Pacific Customer  
Support Center  
Email: [ap.support@nsc.com](mailto:ap.support@nsc.com)

**National Semiconductor**  
Japan Customer Support Center  
Fax: 81-3-5639-7507  
Email: [jpn.feedback@nsc.com](mailto:jpn.feedback@nsc.com)  
Tel: 81-3-5639-7560